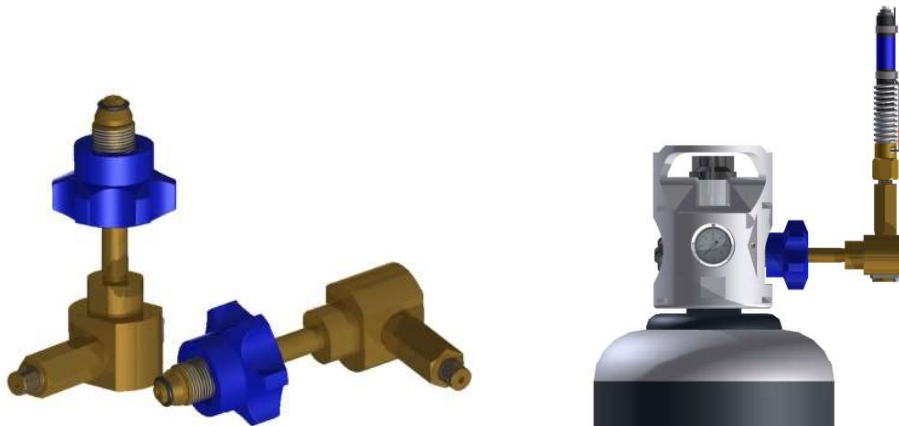


AEROFLEX
BS341 No.3 Swivel connector
Technical Sheet



AHEXXXXX



Product Description

- Cylinder Connector suitable for industrial and medical gas filling solutions
- BS341 No.3 Female Connector
- 90 Degrees orientation
- Fitted with hand wheel
- This product has been designed to work at a maximum working pressure of 420 Bar

International Standards approvals

- ISO 1402 - Rubber & Plastic hoses – hydrostatic testing
- ISO 6803 - Rubber & Plastic hoses – Pressure impulses = 150,000.

Materials

Brass components with polymer seals

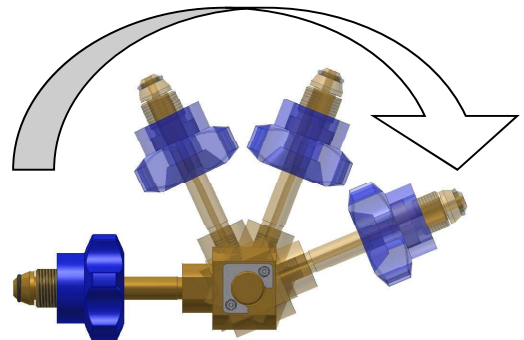
Pressures

Maximum Test Pressure 462 Bar Pneumatic
 630 Bar Hydraulic

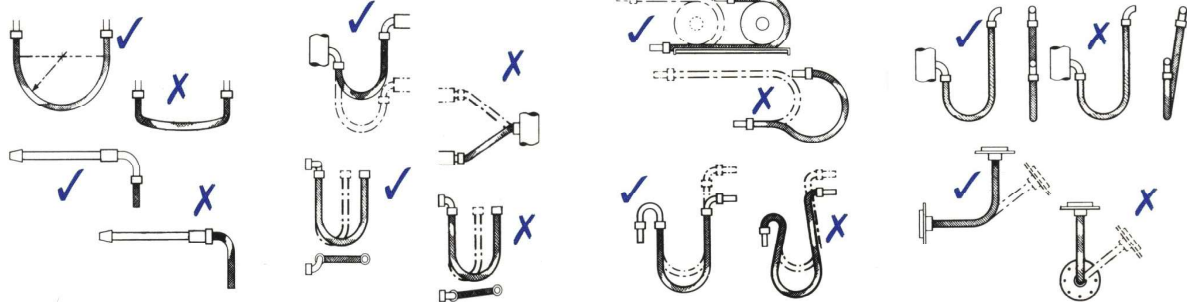
Max working Pressure 420 Bar

Temperature Design

Maximum Temperature + 100°C
 Minimum Temperature - 30°C



Design and installation considerations



Aeroflex Hose & Engineering Ltd.

Winchester House
 11 Enterprise Way
 Aviation Park West
 Bournemouth Airport
 Dorset BH23 6EW

T. **01202 895660**
 F. **01202 891177**

www.aeroflex.co.uk

